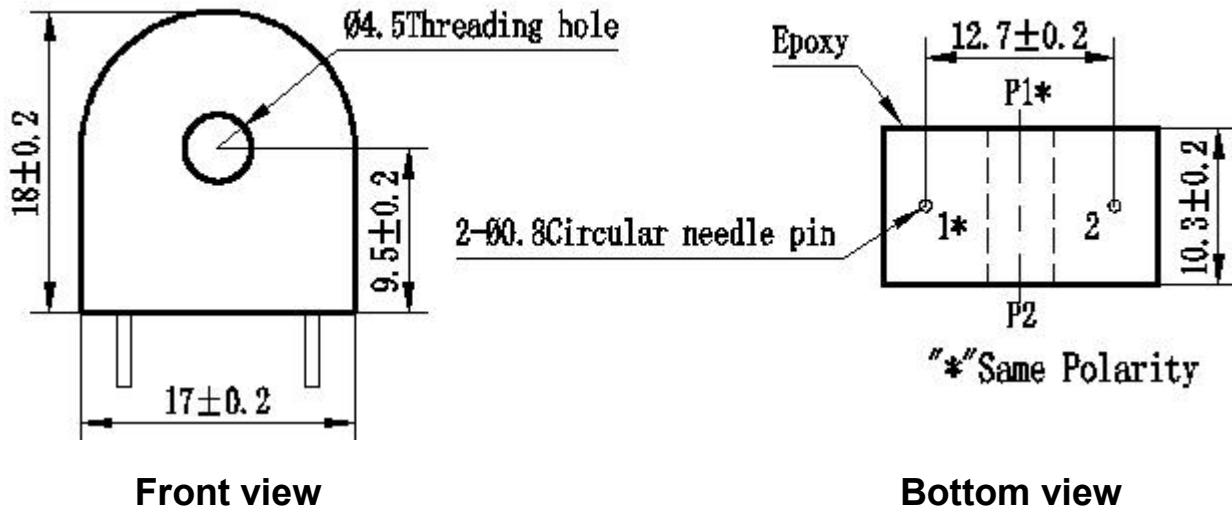


# ZMCT204D Current Transformer

Small size, high accuracy, good consistency, for current and power measurement

Structural parameters:



The main technical parameters:

Model	ZMCT204D
input current	0~10A (sampling resistor 50Ω)
Rated output current	5mA at input 5A
turns ratio	1000:1
phase angle error	≤15' (input 1A, sampling resistor 50Ω)
Accuracy class	0.2
linearity	≤0.2% (5%~120%)
Ratio error	-0.2%≤f≤+0.2% (input 1A, sampling resistor 50Ω)
isolation voltage	4500V
application	current and power measurement
Encapsulation	Epoxy
installation	PCB mounting (Pin Length>3mm)
operating temperature	-40℃~+85℃

Usage direction:

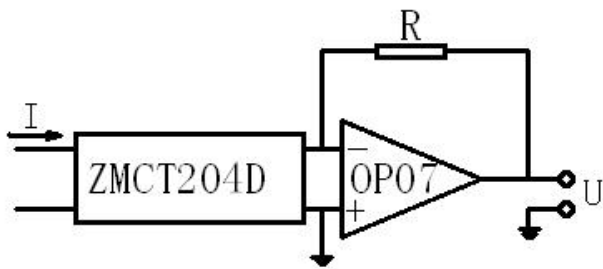


Figure I

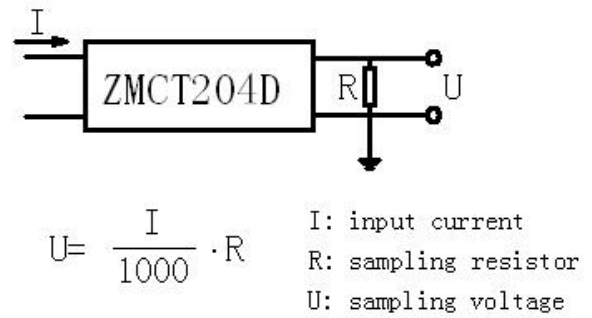


Figure II

1. The typical usage of the product is for the active output ( Figure I ). R is a sampling resistor.
2. The product can be directly through the resistance sampling , easy to use (Figure II ).