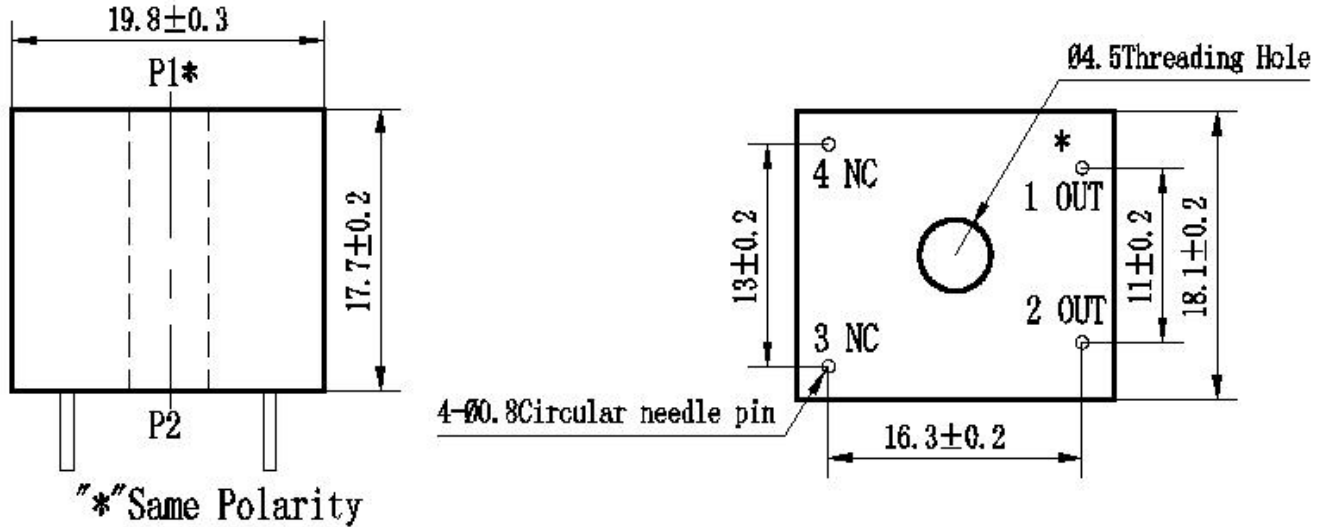


# ZMCT112B current transformer

Small size, high accuracy, good consistency, for accurate current and power measurement

## Structural parameters:



1、2pin: secondary output, 3、4pin: empty pin

Front view

Bottom view

## The main technical parameters:

Model	ZMCT112B
Rated input current	0~30A (sampling resistor 100Ω)
Rated output current	2.5mA at input 5A
turns ratio	2000:1
phase angle error	≤10' (input 5A, sampling resistor 100Ω)
accuracy	0.2
linearity	≤0.2% (5%dot and 120%dot)
Permissible error	-0.2%≤f≤+0.2% (input 5A, sampling resistor 100Ω)
isolation voltage	4500V
application	Precise current and power measurement
Encapsulation	Epoxy
installation	PCB mounting (Pin Length>3mm)
operating temperature	-40℃~+70℃

Direction for use:

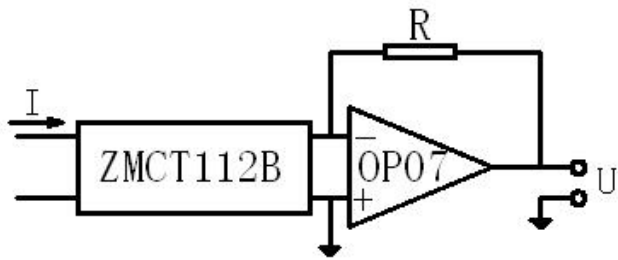
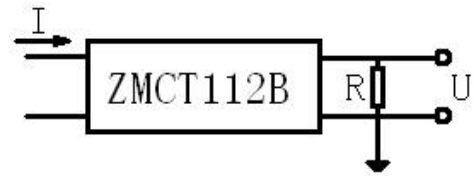


Figure I



$$U = \frac{I}{2000} \cdot R$$

I: input current  
R: sampling resistor  
U: sampling voltage

Figure II

1. ZMCT112B used for the measurement. The typical usage is shown in Figure I and Figure II. R is a sampling resistor,
2. Empty pin can not be grounded.