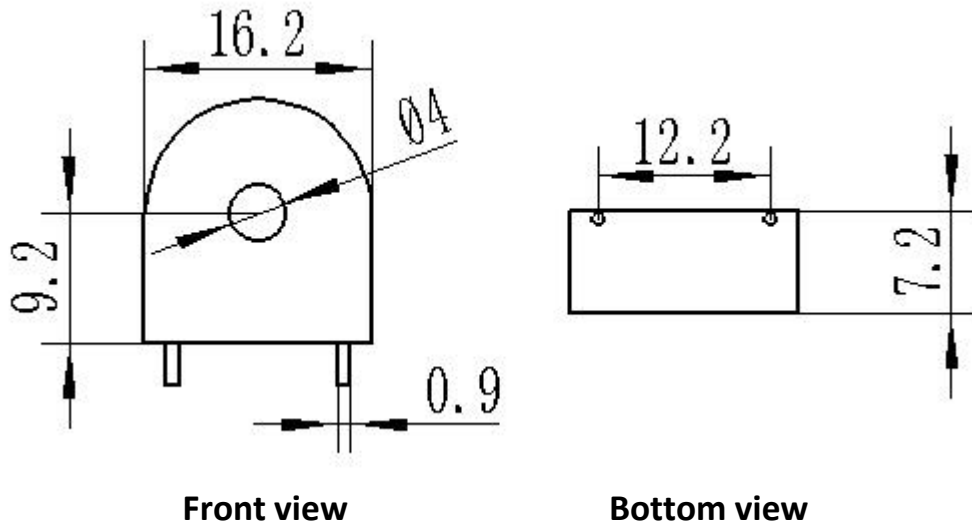


## ZEMCT133 Current transformer

Small size, high accuracy, good consistency, For current and power measurement

### Structural parameter:



Tolerance:  $\pm 0.2\text{mm}$ , Pin Length : 4~5mm

### The main technical parameters:

Model	ZEMCT133
Rated input current	5A
Rated output current	5mA
Turns ratio	1000:1
Phase angle error	$\leq 30'$ (input 5A, sampling resistor $50\Omega$ )
current range	0~7A (sampling resistor $50\Omega$ , room temperature $25^\circ\text{C}$ )
linearity	$\leq 0.5\%$ (5%~120% of 5A)
Permissible error	$-0.5\% \leq f \leq +0.5\%$ (input 5A, sampling resistor $50\Omega$ )
Isolation voltage	4500V
Application	Current and power measurement
Encapsulation	Epoxy
Installation	PCB Mounting
Operating temperature	$-40^\circ\text{C} \sim +85^\circ\text{C}$

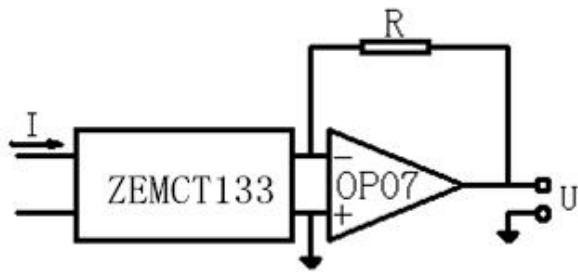
**Direction for use:**

Figure I

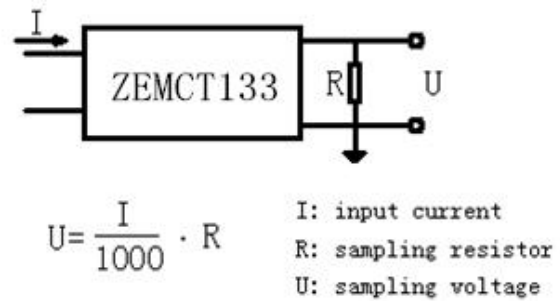


Figure II

1. The typical use of the product for the active output (Figure 1). R is the sampling resistor
2. The product can be directly through the resistance sampling, easy to use (Figure 2).
3. The instructions are for reference only, the specific parameters should be subject to the approval specification.