

Approval Sheets

Approved by

Item: Split Core Current Transformer

Description: ϕ 35mm, 800A, 10 Ω , 3000:1

Part No.: ZEMCTK09-2

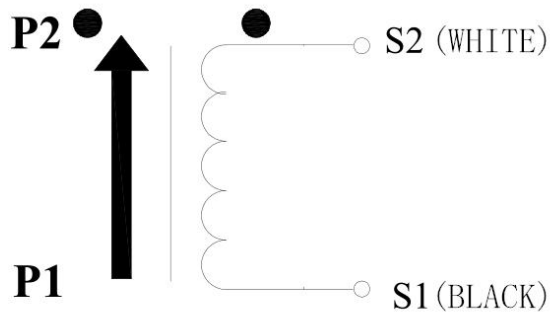
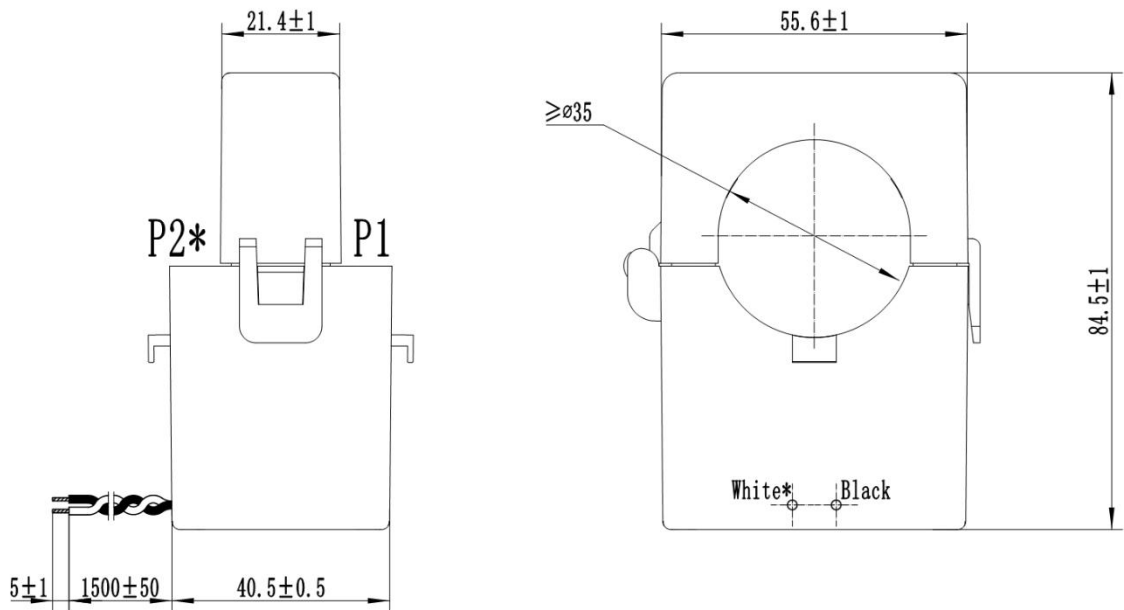
Design by	Check by	Approved by

1.Specification

Characteristics	Values
Primary current I_p	500A
Maximum primary operating current I_{max}	800A
Secondary current	166.67mA
Sampling resistor R_B	10Ω
Operating frequency	50/60Hz
Operating temperature	-40℃-85℃
Relative humidity	≤95%
Turn ratio	1:3000
Accurate operating current range	$5\%I_p \sim I_{max}$
Accurate class	1.0
Power-frequency Withstand voltage	3kV/1min
Insulation resistance	≥500MΩ/500VDC
Interturn Insulation	500A/1min

Accuracy Class	With the percentage(%) of I_p			
	5	20	100	120
Ratio Error(±%)	3.0	1.5	1.0	1.0
Phase Displacement(±')	180	90	60	60

3.Dimension



4.Material List

NO.	Material	Spec, model	UL code	SGS
1	Silicon steel core	/	—	yes
2	Core box	PBT	E332375	yes
3	Tape	Flame retardant, Environmental protection	E165111	yes
4	Enameled wire	3000turns	E258243	yes
5	Outer covering	Environmental protection	E238981	yes
6	Leading wires	Black, white, 22# AVR	E315651	yes