

Approval Sheets

Approved by

Item: 120A DC immune Current Transformer

Model No.: ZMDCT06

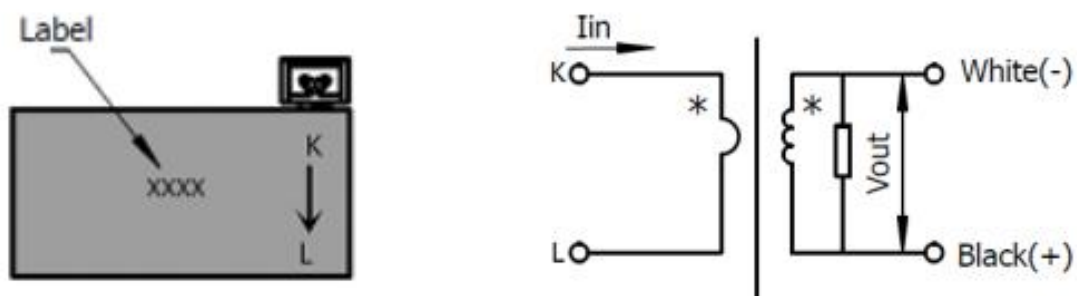
Drawn by	Check by	Approved by
		<u>Signed</u>

1. Specification

Characteristics	Values
Operating frequency	50 Hz ~ 400 Hz
Operating temperature	-40°C ~ 85°C
Relative humidity	≤95%
Rated primary current I_p	120A
Maximum primary operating current I_{max}	144A
Testing current for DC component 120A/Root 2	<3%
Rated second current	48mA
Transformation ratio	1:2500
User supplied burden resistor	10Ω
Accurate operating current range	3.33% I_p ~ I_{max}
INPUT: 2.5A R:100Ω, f: 60HZ	OUTPUT: 99.5~100mV
Power frequency withstand voltage	3Kv/1min
Insulation resistance	>500MΩ/500Vdc
Interturn insulation	120A/1min
Accuracy class	0.2class

Accuracy class	With the percentage(%)of I_p			
	3.33	20	100	120
Ratio Error (±%)	0.2	0.2	0.2	0.2
Phase Displacement(± ´)	12	12	12	12

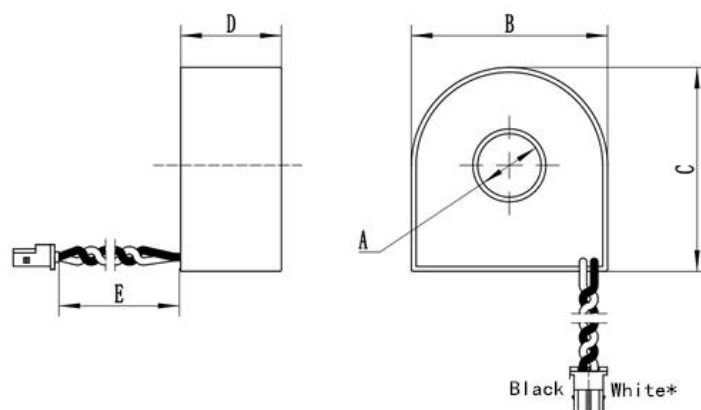
2. Structure and Size



Current direction:

Primary current is from K to L, secondary current is from Black line to White line.

3. Dimension



SIZE	A	B	C	D	E
mm	∅12.5	37.5	38.5	15.5	120±5

4. Material List:

No.	Material	Spec. model	UL code	Manufacturer
1	Inner core	Nano-crystalline core	/	ZEMING
2	Outer core	Amorphous core	/	ZEMING
3	Core shell	PBT	E238981	QINGDAO QINKE ENGINEERING PLASTICS
4	Winding	2500T	E258243	ELEKTRISOLA HANGZHOU CO LTD
5	Outside shell	Black	E238981	QINGDAO QINKE ENGINEERING PLASTICS
6	Epoxy resin	TXH-9201-10 epoxy resin in sulating compound	E196959	TIANJIN XINQIAO INSULATING MATERIAL CO LTD
7	Leading wire	UL1007, 26AWG, Black&White	E315651	ZHEJIANG CHENGBAO WIRE & CABLE CO LTD
9	Connector	Molex 5264-2P	/	Shenzhen Pinshang Electronic
10	Tape	Flame retardant, Environmental protection	E165111	JINGJIANG YAHUA PRESSURE SENSITIVE GLUE CO LTD