

# Approval Sheets

Approved by

**Item: 120A DC immune Current Transformer**  
**with pins**

**ZEMING part No.: ZMDCT06-2**

**MGE part No.: 100200066-045**

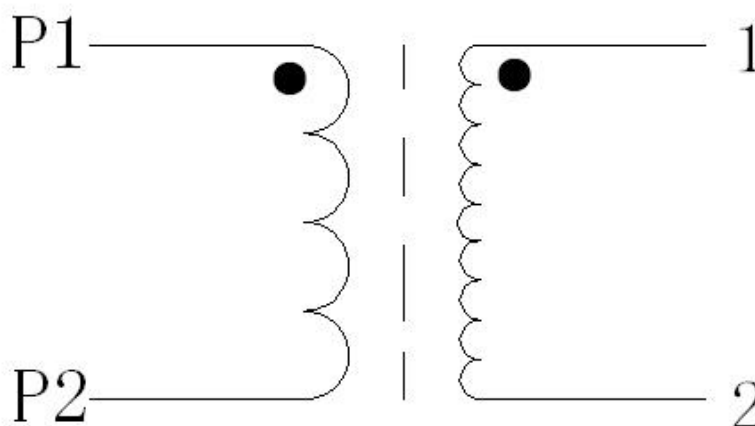
Drawn by	Check by	Approved by
		<b><u>Signed</u></b>

## 1. Specification

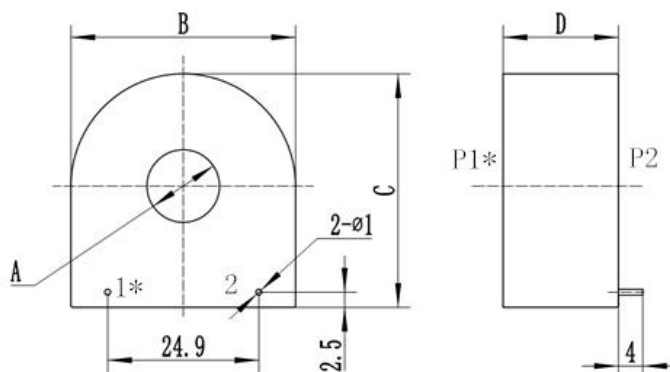
Characteristics	Values
Operating frequency	50 Hz ~ 400 Hz
Operating temperature	-40°C ~ 85°C
Relative humidity	≤95%
Rated primary current $I_p$	120A
Maximum primary operating current $I_{max}$	120A
Testing current for DC component 120A/Root 2	<3%
Rated second current	48mA
Transformation ratio	1:2500
User supplied burden resistor	10Ω
Accurate operating current range	3.33% $I_p$ ~ $I_{max}$
Power frequency withstand voltage	3Kv/1min
Insulation resistance	>500MΩ/500Vdc
Interturn insulation	120A/1min
Accuracy class	0.2class

Accuracy class	With the percentage(%)of $I_p$			
	3.33	20	100	120
Ratio Error (±%)	0.2	0.2	0.2	0.2
Phase Displacement(± ´ )	15	15	15	15

## 2. CIRCUIT SCHEMATIC:



### 3. Dimension



尺寸	A	B	C	D
mm	ø12.5	37.5	38.5	15.5

Tolerance:  $\pm 0.2\text{MM}$ , ROHS compliant

### 4. Material List:

No.	Material	Spec. model	UL code	Manufacturer
1	Inner core	Nano-crystalline core	/	ZEMING
2	Outer core	Amorphous core	/	ZEMING
3	Core shell	PBT	E238981	QINGDAO QINKE ENGINEERING PLASTICS
4	Winding	2500T	<b>E258243</b>	ELEKTRISOLA HANGZHOU CO LTD
5	Outside shell	Black	E238981	QINGDAO QINKE ENGINEERING PLASTICS
6	Epoxy resin	<b>TXH-9201-10 epoxy resin in sulating compound</b>	<b>E196959</b>	TIANJIN XINQIAO INSULATING MATERIAL CO LTD
7	pins	Φ1.0	/	SHANGHAI JIATONG Electronic
8	Tape	Flame retardant, Environmental protection	E165111	JINGJIANG YAHUA PRESSURE SENSITIVE GLUE CO LTD