

Approval Sheets

Approved by

Item : 100A DC immune CT

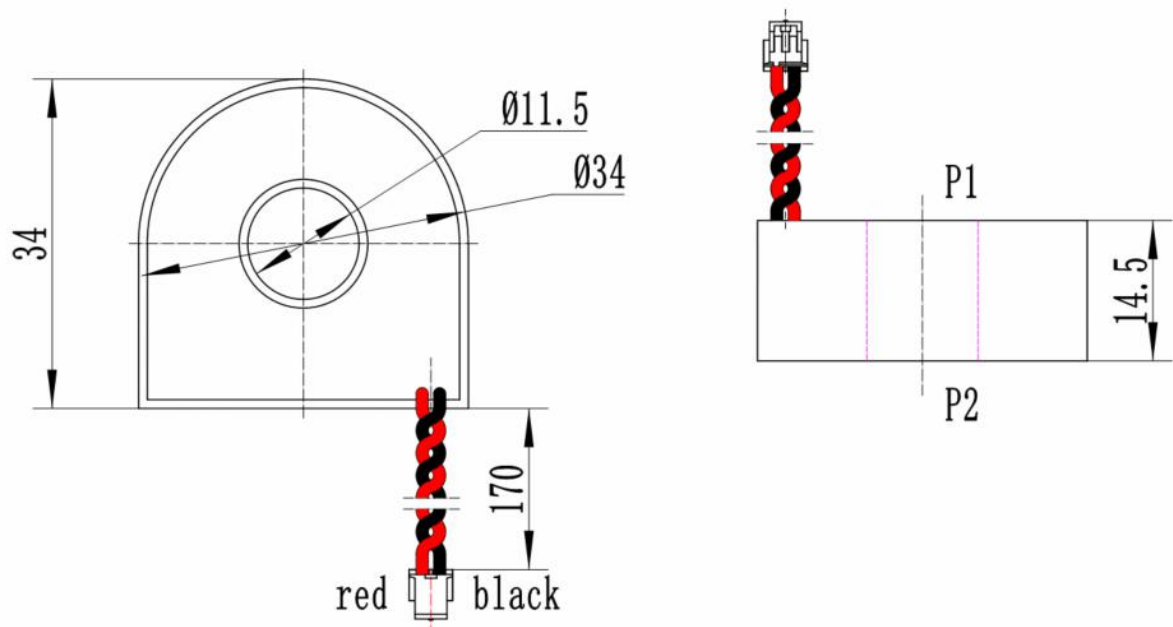
Model No.: ZMXQD08

Drawn by	Check by	Approved by
		<u><i>Signed</i></u>

1. Specification

Characteristics	Values
Operating frequency	50 Hz ~ 400 Hz
Operating temperature	-40°C ~ 85°C
Relative humidity	≤95%
Rated primary current I_p	100A
Maximum primary operating current I_{max}	100A
Testing current for DC component 100A/Root 2	<3%
Rated second current	40mA
Transformation ratio	2500:1
User supplied burden resistor	10Ω
HI-POT (center OD hold to leadwire)	3000Vrms, 1min.
Insulation resistance	>500MΩ/500Vdc
Accuracy class	1.0class

2. Structure and Size



Leads out : Flex UL 1569, AWG26, 300V Rating, 105°C. 170±5mm long out of transformer with 5mm tinned ends

Dimension unit: mm, Dimension Tolerance: ±0.2mm(Unless specified)

Connector: 1.5pitch

3. Circuit Schematic

