

# Approval Sheets

Approved by

Item : 100A DC immune CT

Model No.: ZMDCT03

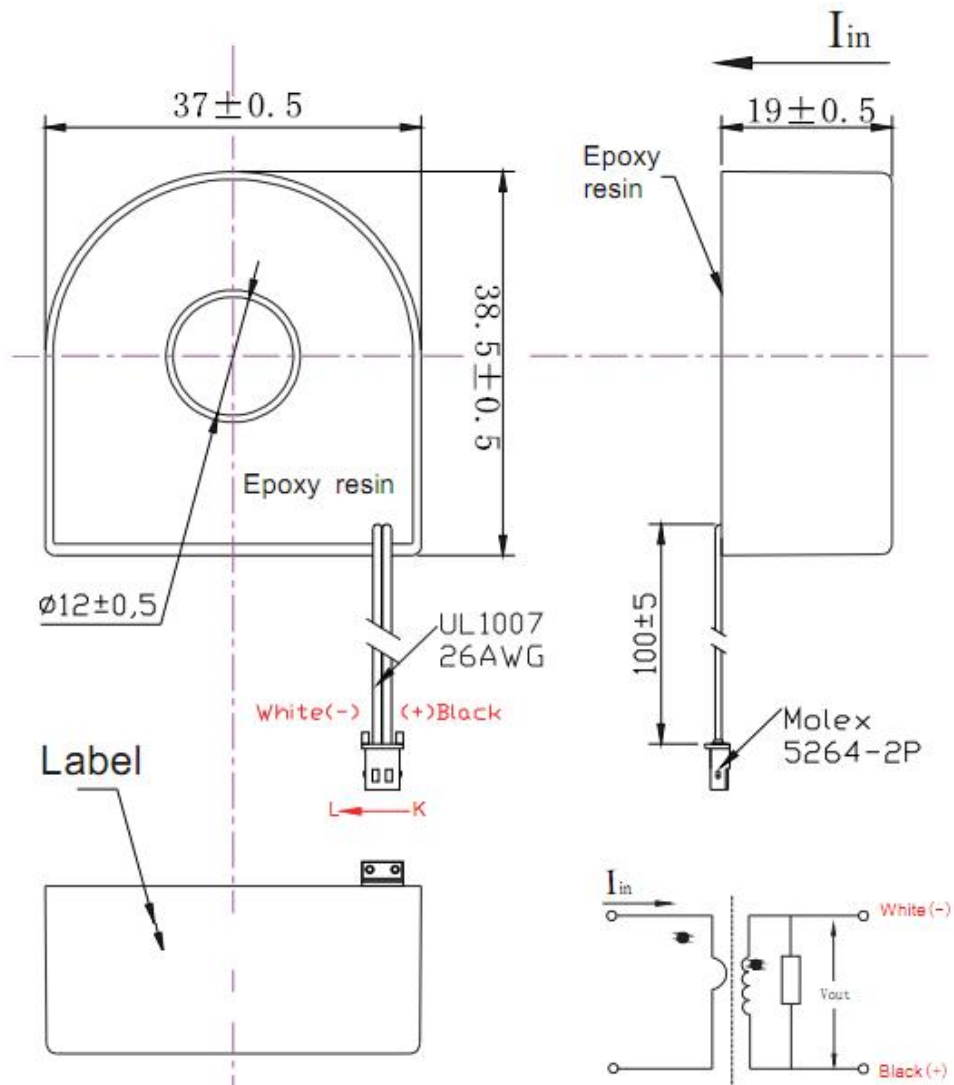
Drawn by	Check by	Approved by
		<u><i>Signed</i></u>

## 1. Specification

Characteristics	Values
Operating frequency	50 Hz ~ 400 Hz
Operating temperature	-40°C ~ 85°C
Relative humidity	≤95%
Rated primary current $I_p$	100A
Maximum primary operating current $I_{max}$	120A
Testing current for DC component 100A/Root 2	<3%
Rated second current	40mA
Transformation ratio	2500:1
User supplied burden resistor	10Ω
Accurate operating current range	5% $I_p$ ~ $I_{max}$
HI-POT (center OD hold to leadwire)	3000Vrms, 1min.
Insulation resistance	>500MΩ/500Vdc
Interturn insulation	100A/1min
Accuracy class	0.1class

Accuracy class	With the percentage(%)of $I_p$			
	5	20	100	120
Ratio Error (±%)	0.4	0.2	0.1	0.1
Phase Displacement(± ´ )	15	8	5	5

## 2. Structure and Size



**3.Material List:**

No.	Material	Spec. model	UL code	Manufacturer
1	Inner core	Nano-crystalline core	/	ZEMING
2	Outer core	Amorphous core	/	ZEMING
3	Core shell	PBT	E238981	QINGDAO QINKE ENGINEERING PLASTICS CO LTD
4	Winding	0.13mm, 2500T	<b>E258243</b>	ELEKTRISOLA HANGZHOU CO LTD
5	Shield shell	Steel	/	Penghe
6	Epoxy resin	<b>TXH-9201-10 epoxy resin insulating compound</b>	<b>E196959</b>	TIANJIN XINQIAO INSULATING MATERIAL CO LTD
7	Leading wire	UL1007, 26AWG, Black&White	E315651	ZHEJIANG CHENGBAO WIRE & CABLE CO LTD
9	Connector	Molex 5264-2P	/	Shenzhen Pinshang Electronic
10	Tape	Flame retardant, Environmental protection	E165111	JINGJIANG YAHUA PRESSURE SENSITIVE GLUE CO LTD