

Approval Sheets

Approved by

Item : 50A DC immune Current Trasnformer

Model No.: ZMDCT02

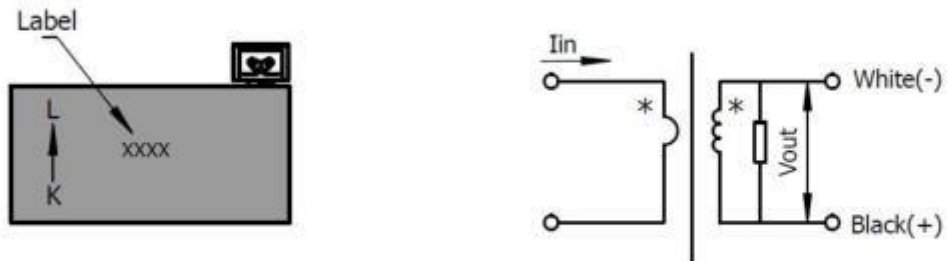
Drawn by	Check by	Approved by
		<u>Signed</u>

1. Specification

Characteristics	Values
Operating frequency	50 Hz ~ 400 Hz
Operating temperature	-40°C ~ 85°C
Relative humidity	≤95%
Rated primary current I_p	50A
Maximum primary operating current I_{max}	60A
Testing current for DC component 100A/Root 2	<3%
Rated second current	20mA
Transformation ratio	1:2500
User supplied burden resistor	10Ω
Accurate operating current range	5% I_p ~ I_{max}
Power frequency withstand voltage	3Kv/1min
Insulation resistance	>500MΩ/500Vdc
Interturn insulation	50A/1min
Accuracy class	0.1class

Accuracy class	With the percentage(%)of I_p			
	5	20	100	120
Ratio Error ($\pm\%$)	0.4	0.2	0.1	0.1
Phase Displacement($\pm \prime$)	15	8	5	5

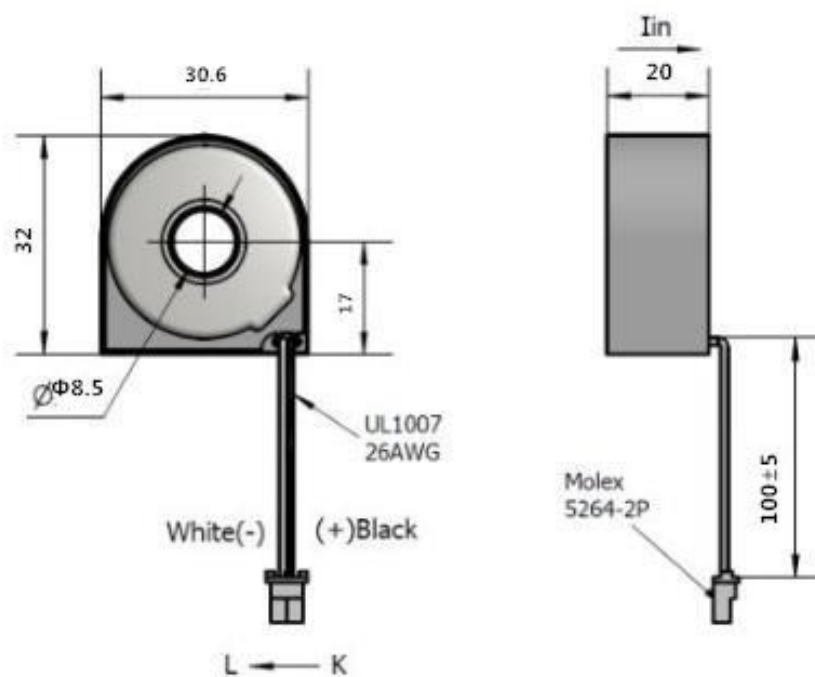
2. Structure and Size



Current direction:

Primary current is from K to L, secondary current is from Black line to White line.

3. Dimension



4.Material List:

No.	Material	Spec. model	UL code	Manufacturer
1	Inner core	Nano-crystalline core	/	ZEMING
2	Outer core	Amorphous core	/	ZEMING
3	Core shell	PBT	E238981	QINGDAO QINKE ENGINEERING PLASTICS CO LTD
4	Winding	0.13mm, 2500T	E258243	ELEKTRISOLA HANGZHOU CO LTD
5	Shield shell	Steel	/	Runhan
6	Epoxy resin	TXH-9201-10 epoxy resin insulating compound	E196959	TIANJIN XINQIAO INSULATING MATERIAL CO LTD
7	Leading wire	UL1007, 26AWG, Black&White	E315651	ZHEJIANG CHENGBAO WIRE & CABLE CO LTD
9	Connector	Molex 5264-2P	/	Shenzhen Pinshang Electronic
10	Tape	Flame retardant, Environmental protection	E165111	JINGJIANG YAHUA PRESSURE SENSITIVE GLUE CO LTD