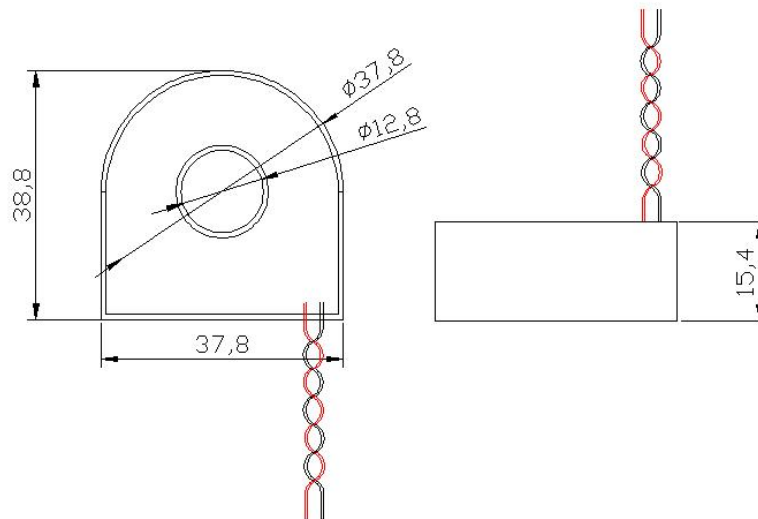


# ZMXQD05

## 120A DC immune current transformer

### Structural parameter:



Tolerance:  $\pm 0.5\text{mm}$

### Main technical parameters

parameters	value
Operating frequency	50 Hz ~ 400 Hz
Operating temperature	-40°C ~ 85°C
Relative humidity	$\leq 95\%$
Rated primary current $I_p$	5A
Maximum primary operating current $I_{max}$	120A
Testing current for DC component 120A/Root 2	$< 3\%$
Rated second current	2mA
Turns ratio	2500:1
Sampling resistor	$\leq 20\Omega$
Accuracy class	0.2
power-frequency withstand voltage	3Kv/1min
Insulation resistance	$> 500\text{M}\Omega/500\text{Vdc}$

Accuracy class	With the percentage(%)of Ip			
	5	20	100	120
Ratio Error ( $\pm\%$ )	0.2	0.2	0.2	0.2
Phase Displacement ( $\pm^\circ$ )	15	15	15	15

## Material List

No.	material	Spec.	UL file number
1	Inner core	Nanocrystalline core	/
2	Outer core	Amorphous core	/
3	Core shell	PBT	E238981
4	winding	2500T	<b>E258243</b>
5	case	Black	E238981
6	Epoxy resin	<b>TXH-9201-10 epoxy resin insulating compound</b>	<b>E196959</b>
7	Leading wire	UL1569, 26#AWG, 105°C, 300V Red, black	E315651
8	Tape	Flame retardant, Environmental protection	E165111