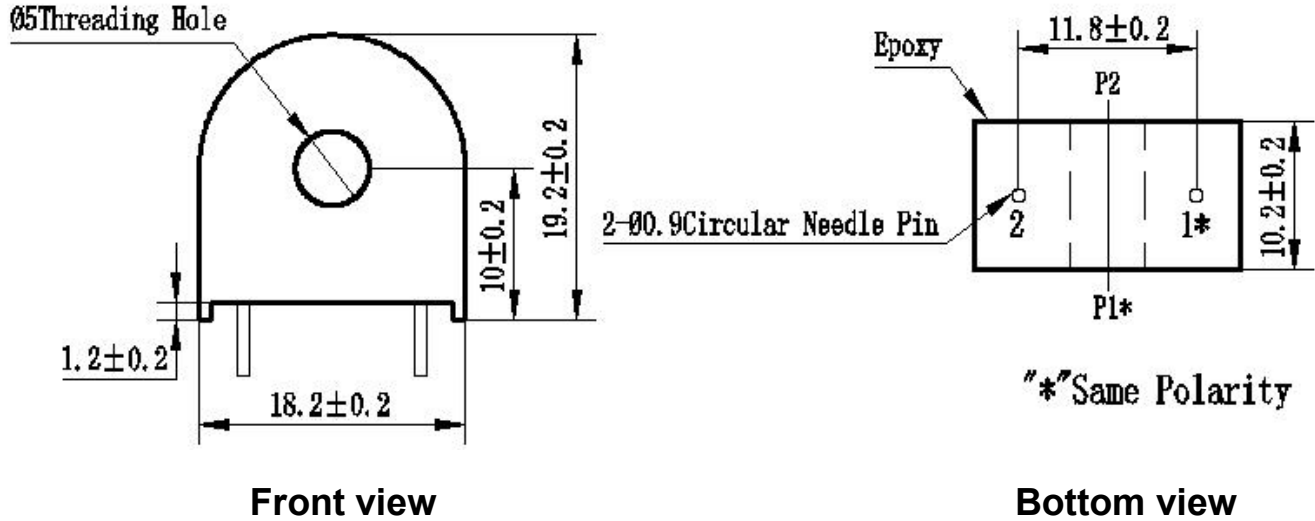


ZMCT103E Current Transformer

Small size, high accuracy, good consistency, for current and power measurement

Structural parameters:



The main technical parameters:

model	ZMCT103E
input current	0~40A (sampling resistor 100Ω)
Rated output current	2.5mA at input 5A
turns ratio	2000:1
phase angle error	≤30' (input 10A, sampling resistor 100Ω)
accuracy	0.3 class
linearity	≤0.2% (5%~120%)
Permissible error	-0.3%≤f≤+0.3% (input 10A, sampling resistor 100Ω)
isolation voltage	4500V
application	Measuring or protection
Encapsulation	Epoxy
installation	PCB mounting (Pin Length>3mm)
operating temperature	-40℃~+85℃

Direction for use:

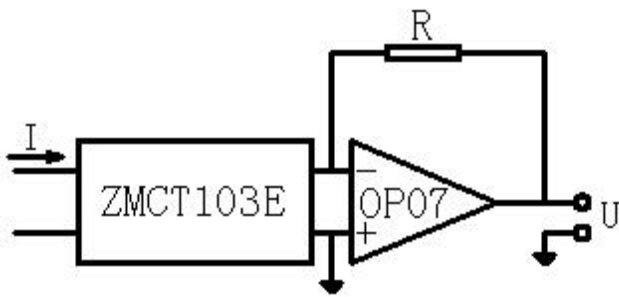


Figure I



$$U = \frac{I}{2000} \cdot R$$

I: input current

R: sampling resistor

U: sampling voltage

Figure II

1. The typical usage of the product is for the active output (Figure I). R is a sampling resistor.
2. The product can be directly through the resistance sampling, easy to use (Figure II).