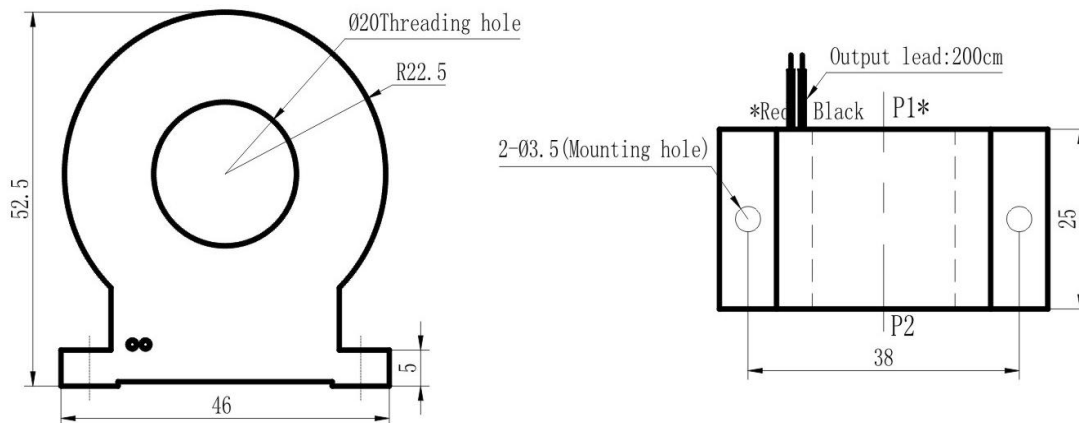


ZMCT304E-2 current transformer

High accuracy, good consistency, for motor soft-start current sampling

Structural parameter:



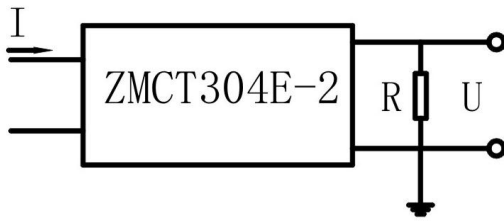
Front view

Bottom view

The main technical parameter:

Model	ZMCT304E-2
Input current	0~200A (sampling resistor 10Ω)
Output current	10mA at input 50A
turns ratio	5000:1
phase angle error	≤20' (input 10A, sampling resistor 10Ω)
Accuracy class	0.5
linearity	≤0.5%(5%dot~120%dot)
Permissible error	-0.5%≤f≤+0.5% (input 10A, sampling resistor 10Ω)
isolation voltage	4500V
application	motor soft-start current sampling
Encapsulation	Epoxy
installation	Screw mounting
operating temperature	-40℃~+70℃

Direction for use:



$$U = \frac{I}{5000} \cdot R$$

I:input current

R:sampling resistor

V:sampling voltage

- 1、 ZMCT304E-2 used for protection, typical usage as shown.
- 2、 The instructions are for reference only; specific parameter is subject to specifications (acknowledgment).