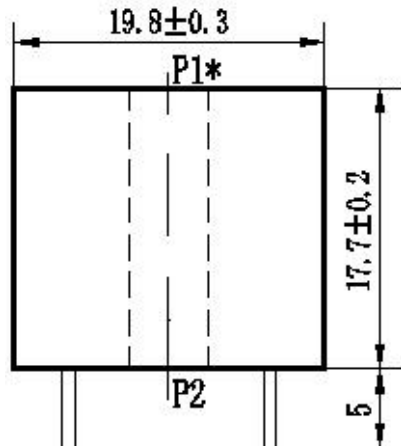


ZMCT113B Current Transformer

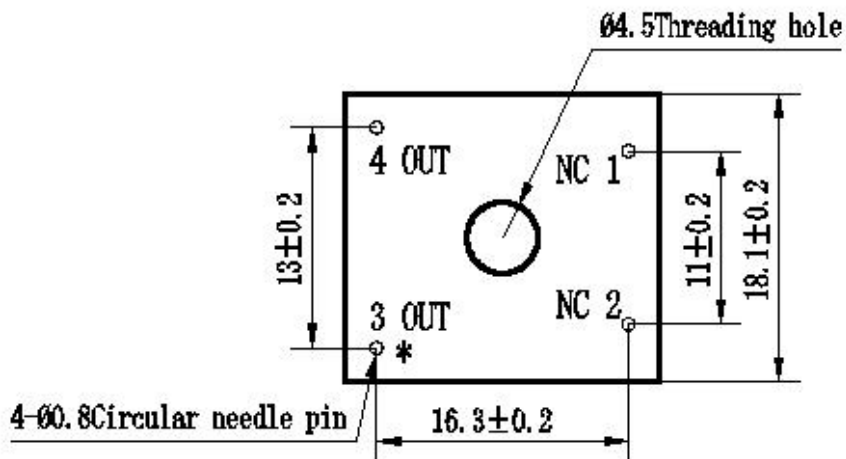
Small size, high accuracy, good consistency, for accurate current and power measurement

Structural parameters:



* Same Polarity

Front view



3、4pin: secondary output, 1、2pin: empty pin

Bottom view

The main technical parameters:

Model	ZMCT113B
Rated input current	0~30A ((sampling resistor 100Ω)
Rated output current	2.5mA at input 5A
turns ratio	2000:1
phase angle error	≤10' (input 5A, sampling resistor 100Ω)
Accuracy class	0.2
linearity	≤0.2% (5%dot and 120%dot)
Ratio error	-0.2%≤f≤+0.2% (input 5A, sampling resistor 100Ω)
isolation voltage	4500V
application	Precise current and power measurement
Encapsulation	Epoxy
installation	PCB mounting (pin length >3mm)
operating temperature	-40℃~+70℃

Direction for use:

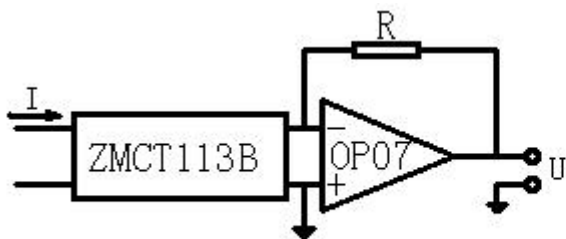


Figure I



$$U = \frac{I}{2000} \cdot R$$

I: input current
R: sampling resistor
U: sampling voltage

Figure II

1. ZMCT113B used for the measurement. The typical usage is shown in Figure I and Figure II. R is a sampling resistor.
2. Empty pin can not be grounded.