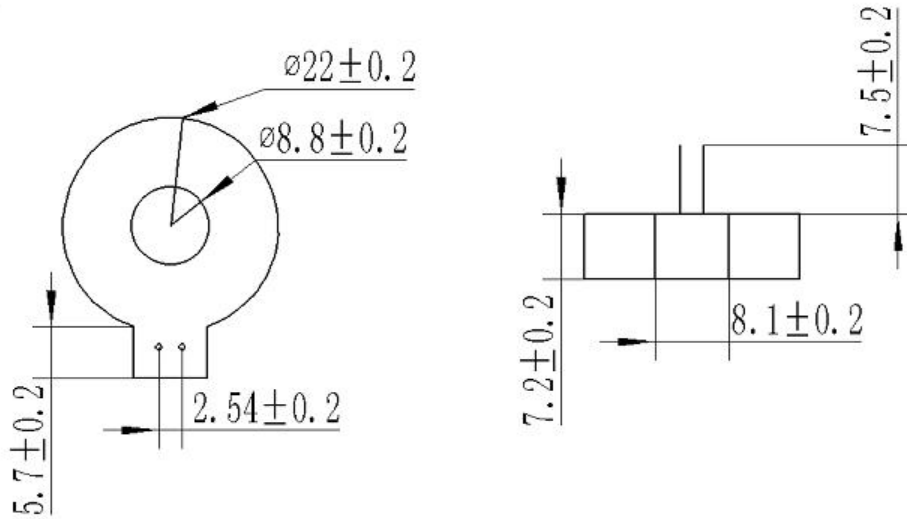


# ZMCT350B-2 Current Transformer

Small size, high accuracy, good consistency, for current measurement

Structural parameters:



**Front view**

**Bottom view**

The main technical parameters:

Model	ZMCT350B-2
input current	0~19A (sampling resistor 44Ω)
Rated output current	5mA at input 5A
turns ratio	1000:1
phase angle error	≤60' (input 5A, sampling resistor 44Ω)
linearity	0.2% (5%dot~120%dot)
Accuracy class	0.5 class (input 5A, sampling resistor 44Ω)
isolation voltage	3000V
application	measurement
Encapsulation	Epoxy
installation	PCB mounting
operating temperature	-40℃~+85℃