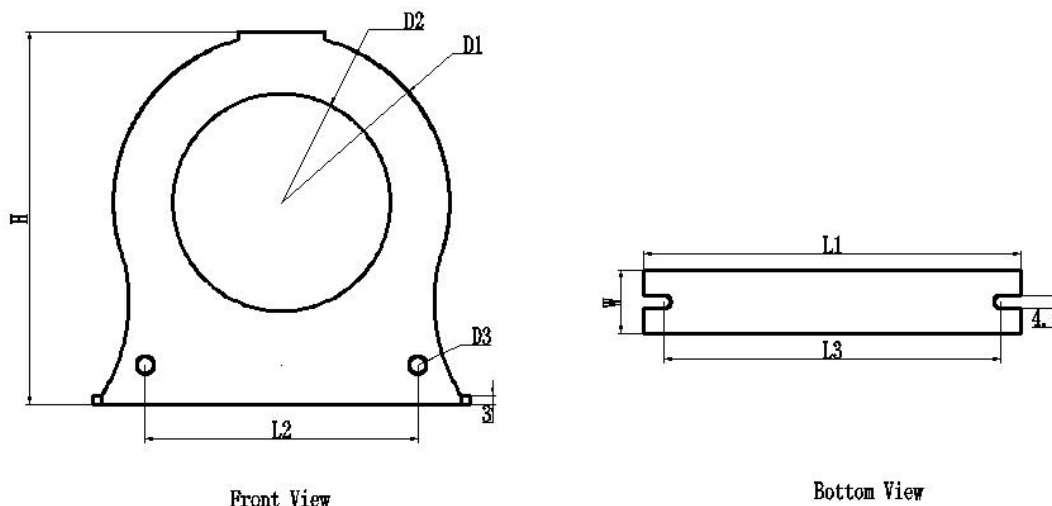


ZM-LX series

zero-sequence Current Transformer

Round transformer, high accuracy, for the zero-current measurement and protection

Structural parameter:



Model	D1	D2	D3	L1	L2	L3	H	W	remark
ZM-LX25	25	45.5	2.9	50.6	41.2	44.2	45.5	18	Different shape
ZM-LX45	46	77	4	85	67.6	64.3	77	25.5	As shown
ZM-LX60	63	95	4	95	85	72.4	94.6	23	Different shape
ZM-LX75	75	116	6	130	94	116	127.5	22	As shown
ZM-LX80	80	120	6	130	94	105	125.5	25	As shown
ZM-LX100	100	140	6	150	110	125	146.5	25	As shown

The main technical parameters:

Rated input current	0~50A
Rated output current	0~50mA
turns ratio	1000:1
linear range	0~50A
linearity	$\leq 0.5\%$ (20%~100%)
Permissible error	$-1\% \leq f \leq +1\%$ (rated input)
phase angle error	3° (rated input)
isolation voltage	3000V
application	Zero-sequence current detection and protection
Encapsulation	Epoxy
installation	Screw mounting
Operating temperature	$-40^\circ\text{C} \sim +70^\circ\text{C}$
color	black

Note: This series of products are mainly used for the detection of zero-sequence current, high-current products that we can produce different specifications according to customer requirements.