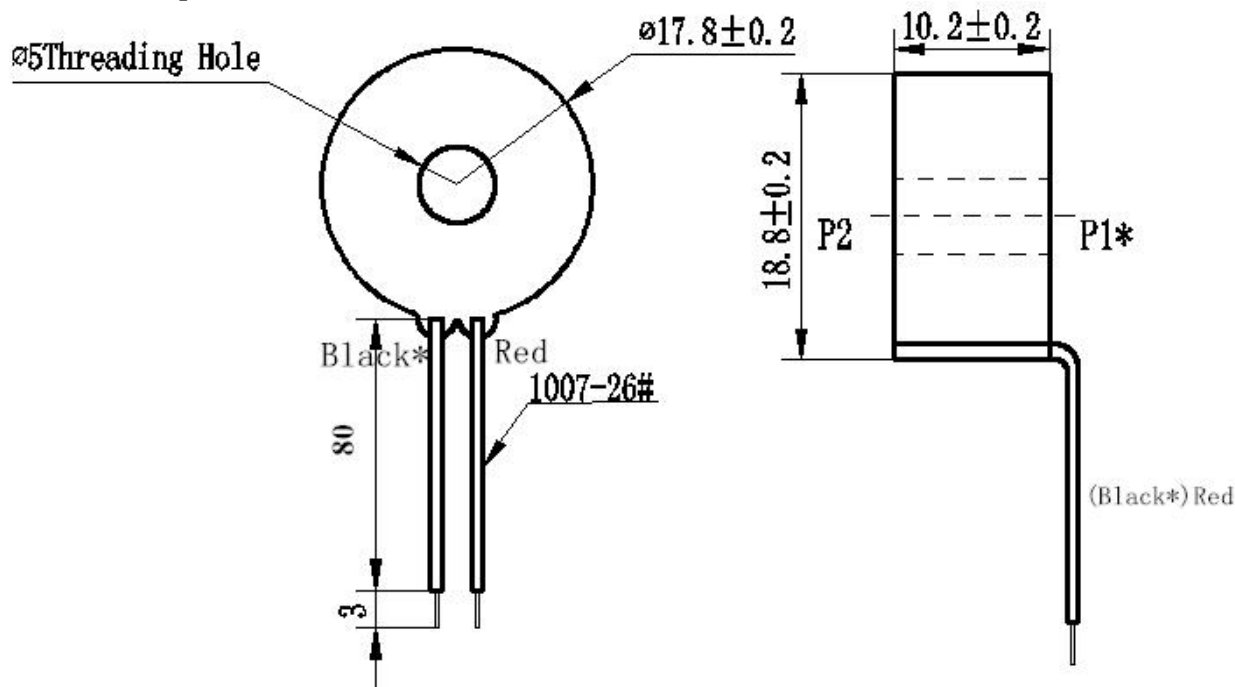


# ZMCT102W-1 Current Transformer

Small size, high accuracy, good consistency, for the precise measurement of current and power

Structural parameters:



“\*” → same polarity

Front view

Left View

## The main technical parameters:

Model	ZMCT102W-1
input current	0-10A (10Ω)
Rated output current	2.5mA at input 5A
turns ratio	2000:1
phase angle error	5%dot ~120% dot of 5A, Phase difference value between the two points $\leq 10'$ (sampling resistor 10Ω)
linear range	0~10A (sampling resistor 10Ω)
linearity	0.05% (5%dot~120%dot of 5A)
Permissible error	$-0.05\% \leq f \leq +0.05\%$ (input 5A, sampling resistor 10Ω)
application	4500V
isolation voltage	High precision measurement of current and power
Encapsulation	Epoxy
installation	Flying wires type

operating temperature	-40°C~+85°C
-----------------------	-------------

Direction for use:

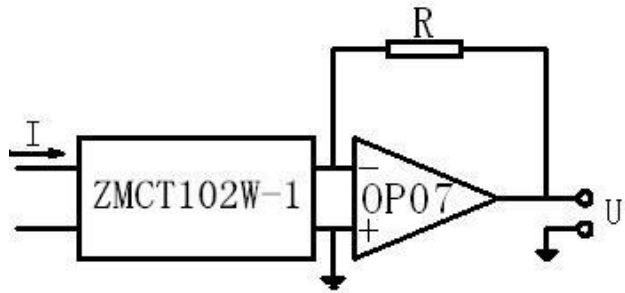
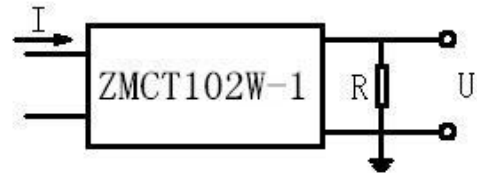


Figure I



$$U = \frac{I}{2000} \cdot R$$

I: input current  
 R: sampling resistor  
 U: sampling voltage

Figure II

1. The typical usage of the product is for the active output ( Figure I ) . R is a sampling resistor.
2. The product can be directly through the resistance sampling, easy to use (Figure II).