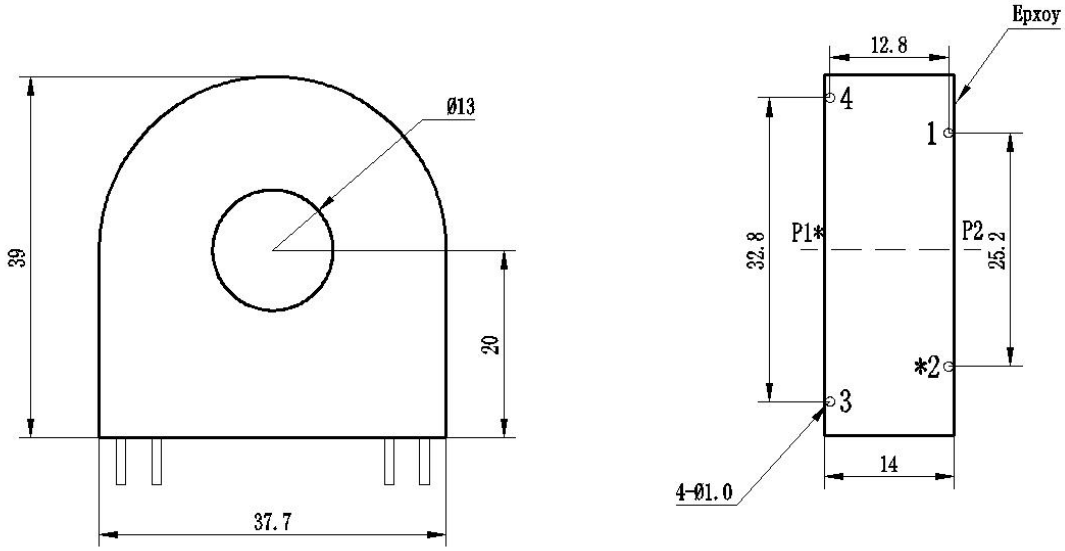


ZMCT303S Current Transformer

Small size, high accuracy, good consistency, for power measurement and protection

Structural parameter:



Front view

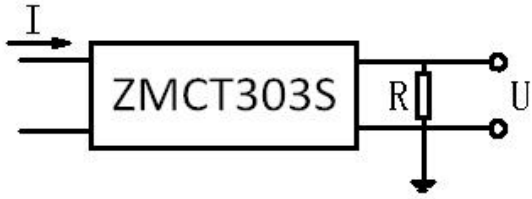
Bottom view

“*” same polarity

The main technical parameter:

Model	ZMCT303S
input current	0~200A (sampling resistor 10Ω)
Rated output current	15mA at input 30A
turns ratio	2000:1
phase angle error	≤30' (input 30A, sampling resistor 10Ω)
linearity	≤0.1%(5%dot~120%dot)
Accuracy class	0.2
isolation voltage	3000V
application	measurement or protection
Encapsulation	Epoxy
installation	PCB mounting
operating temperature	-40℃~+85℃

Direction for use:



$$U = \frac{I}{2000} \cdot R$$

I: input current
R: sampling resistor
U: sampling volatge

1. ZMCT303S used for protection. Typical usage as shown.