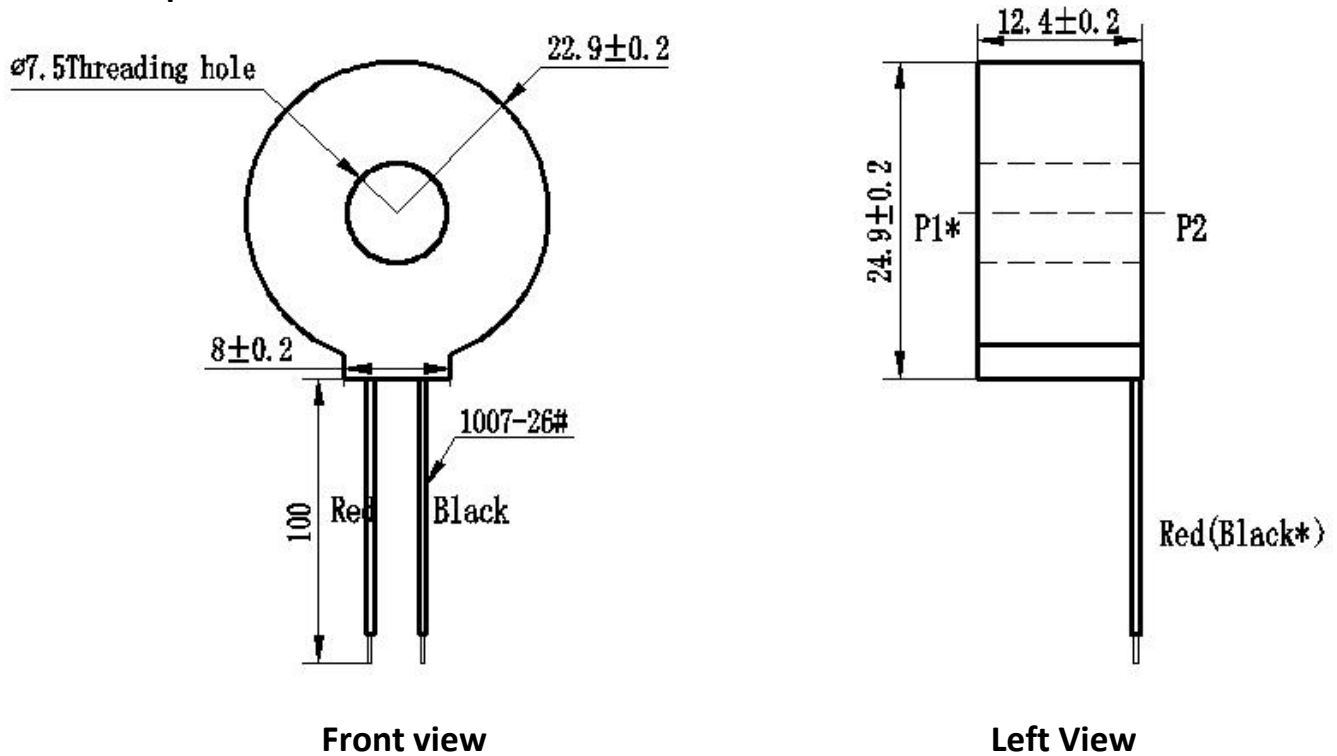


# ZMCT134D Current Transformer

Small size, high accuracy, good consistency, for current and power measurement

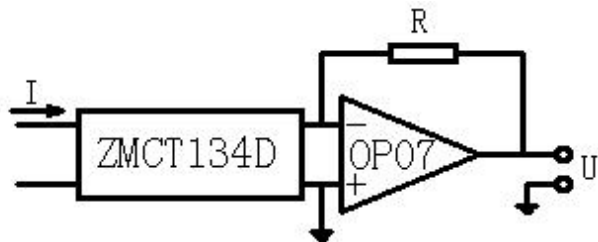
## Structural parameters:



## The main technical parameters:

Model	ZMCT134D
input current	0~30A (sampling resistor 50Ω)
Rated output current	5mA at input 5A
Turns ratio	1000:1
phase angle error	≤20' (input 5A, sampling resistor 50Ω)
Accuracy class	0.3 class
linearity	≤0.2%(5% dot~120% dot of 5A)
Permissible error	-0.3%≤f≤+0.3% (input 5A, sampling resistor 50Ω)
Isolation voltage	4500V
Application	Current and power measurement
Encapsulation	Epoxy
installation	Output leads installation (conventional lead length shown in drawing)
operating temperature	-40°C~+85°C

Direction for use:



$$U = \frac{I}{1000} \cdot R$$

I: input current  
R: sampling resistor  
U: sampling voltage

Figure 1

Figure 2

1. ZMCT134D used for measurement. Typical usage is shown in Figure 1 and Figure 2. R is a sampling resistor.