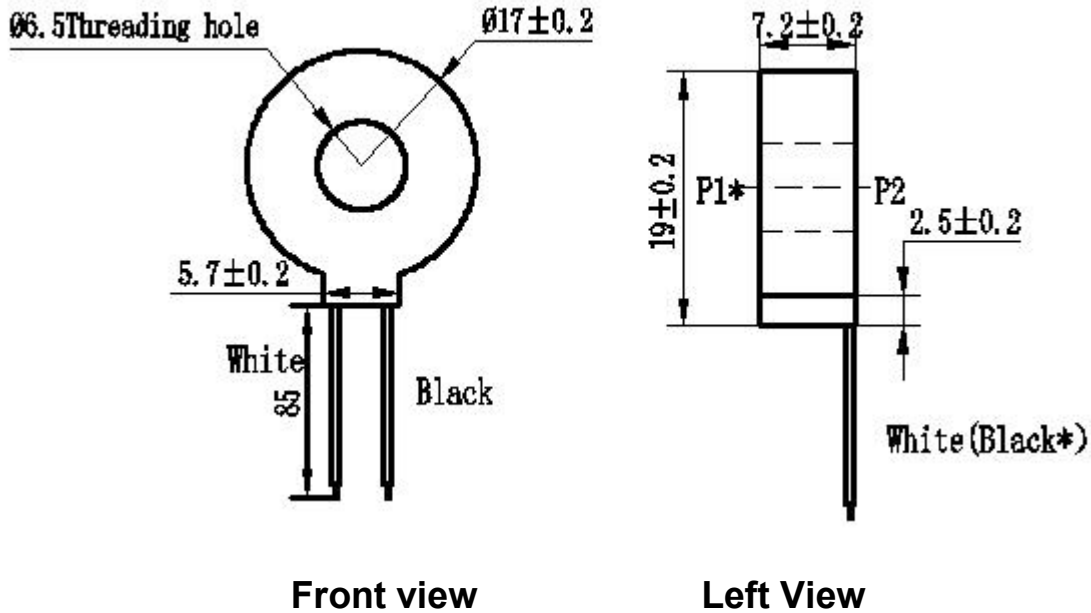


# ZMCT205D current transformer

Small size, high accuracy, good consistency, for simple current monitoring and control

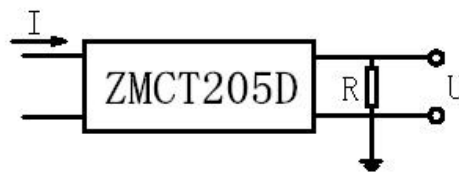
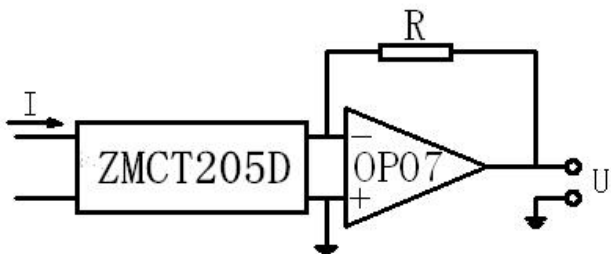
## Structural parameters:



## The main technical parameters:

Model	ZMCT205D
input current	0~8A (sampling resistor 25 $\Omega$ )
Rated output current	5mA at input 5A
turns ratio	1000:1
phase angle error	$\leq 60'$ (input 5A, sampling resistor 25 $\Omega$ )
Accuracy class	0.5
linearity	$\leq 0.5\%$ (5%dot ~120%dot)
Permissible error	$-0.5\% \leq f \leq +0.5\%$ (input 5A, sampling resistor 25 $\Omega$ )
isolation voltage	4500V
application	simple current monitoring and control
Encapsulation	Epoxy
installation	Output leads installation (conventional lead length shown in drawing)
operating temperature	-25 $^{\circ}\text{C}$ ~+85 $^{\circ}\text{C}$

Direction for use:



$$U = \frac{I}{1000} \cdot R$$

I: input current  
R: sampling resistor  
U: sampling voltage

Figure I

Figure II

1. ZMCT205D used for the measurement, the typical usage is shown in Figure I and Figure II. R is a sampling resistor.