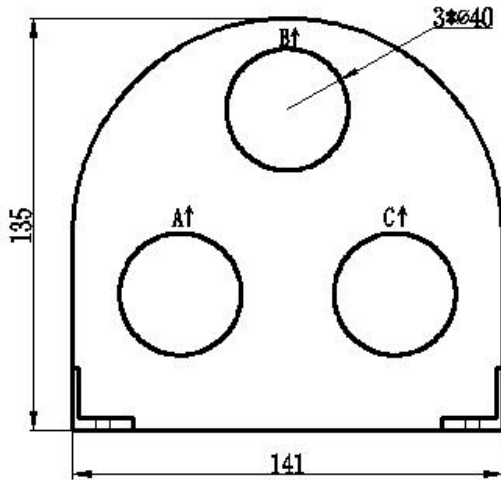


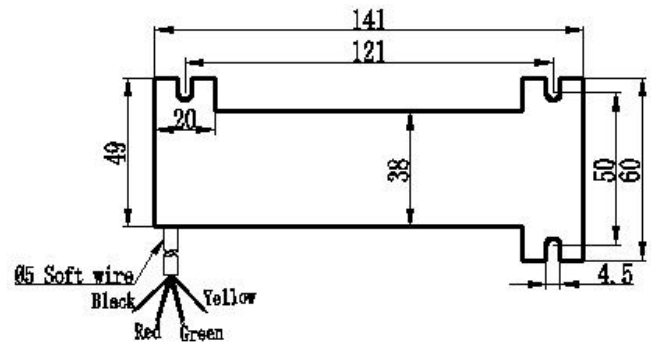
# ZMCT340 series Current Transformer

High accuracy, good consistency, for motor protection

## Structural parameter:



Front view



Lateral view

## The main technical parameters:

Model	ZMCT340
Rated input current	100~400A
Rated output voltage	0~1V
Operating current range	0~4000A
linearity	$\leq 0.2\%$ (20% dot ~ 120% dot)
Permissible error	$-0.5\% \leq f \leq +0.5\%$ (rated input)
Phase angle error	$\leq 60'$ (rated input)
isolation voltage	3000V
application	motor protection
Encapsulation	Epoxy
installation	Screw mounting
operating temperature	$-40^{\circ}\text{C} \sim +70^{\circ}\text{C}$

Note: This series of products is mainly used for the detection of high-current; high-current products of different specifications can be made according to customer requirements.